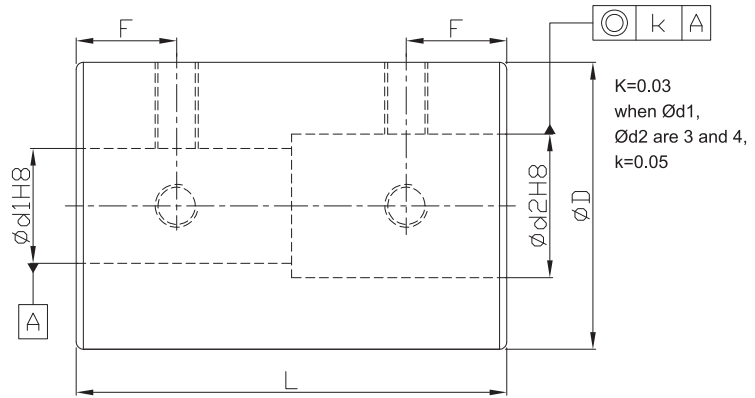


RSM

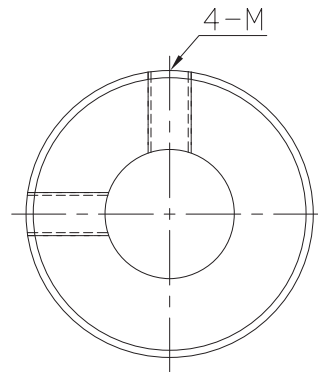


- Light, very low inertial and high sensibility.
- Maintenance free, super anti-oil and corrosion-resistance.



*When $\varnothing d1 < 4$ and $\varnothing d2 > 5$, there would be 3 set screws.

*When $\varnothing d1$ and $\varnothing d2$ both smaller than 4, there would be 2 set screws.



Material	Accessories
SUS303	Set screw

Dimensions		$\varnothing d1 \& \varnothing d2$ selection * $\varnothing d1 \leq \varnothing d2$											L	F	M Rough thread
Model no.	$\varnothing D$	3	4	5	6	8	10	11	12	14	15	16			
RSM	16	•	•	•	•								24	6	3
	20			•	•	•	•						30	7	
	25					•	•	•	•				36	9	4
	32								•	•	•	•	41	10	

★ Moment of inertial torque and weight calculated by maximum diameter.

Specification		Allowable wrench torque (N·m)	Max. RPM (r/min ⁻¹)	★ Moment of inertia (kg·m ²)	Screw fixing torque (N·m)	★ Weight (g)
Model no.	$\varnothing D$					
RSM	16	0.3	24000	$1.2 \cdot 10^{-6}$	0.7	28
	20					
	25	1	15000	$1.0 \cdot 10^{-5}$	1.7	100
	32					

Ordering Example: RSM20 - 6 - 8 - 100 PCS
Model no. $\varnothing d1$ $\varnothing d2$ Q'ty