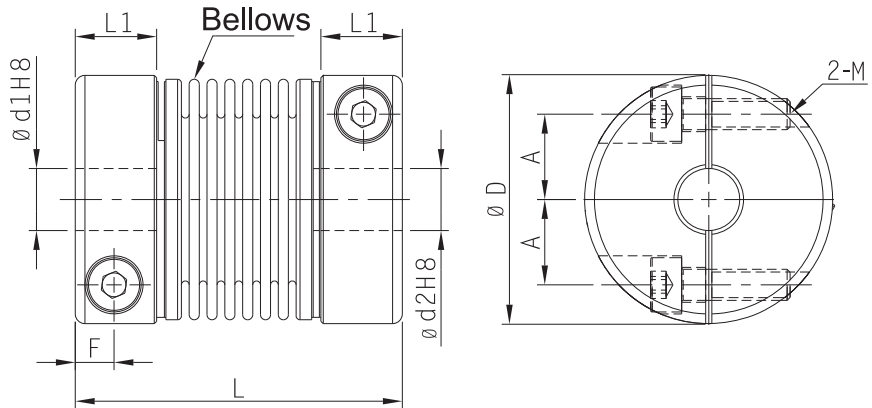


FSCB



• Offset of angular, parallel, or axial deviation are individual allowed value, so couple reasons of axial offset appearing at same time would reduce the unit allowable value.



Component	Material	Accessories
Main frame	SUS303	Clamping screw
Bellows	SUS316	

Dimensions		Ød1&Ød2 selection *Ød1 ≤ Ød2									L	L1	F	A	Clamping screw	
Model no.	ØD	4	5	6	6.35	8	9.525	10	12	14					M	Lock torque (N·m)
FSCB	12	●	●								23.5	7.5	2.3	4	2	0.5
	16	●	●	●	●						26.5	9	3	5		
	20		●	●	●	●					32	10	3.5	6.5	2.5	1
	25			●	●	●	●	●			36.5	12	4.5	9	3	1.5
	32					●	●	●	●	●	42	13.5	5	11	4	2.5

★ Moment of inertial torque and weight calculated by maximum diameter.

Specification		Allowable wrench torque (N·m)	Allowable misalignment			Static torsional stiffness (N·m/rad)	Max. RPM (r/min ⁻¹)	★ Moment of inertia (kg·m ²)	★ Weight (g)
Model no.	ØD		Angular (°)	Parallel (mm)	Axial (mm)				
FSCB	12	0.5	1.5	0.10	+0.4	100	13000	2.1*10 ⁻⁷	9
	16	1			-1.2	150	9500	8.1*10 ⁻⁷	22
	20	1.5	2	0.15	+0.6	220	7700	2.3*10 ⁻⁶	38
	25	2			-1.8	330	6100	6.9*10 ⁻⁶	74
	32	3			+0.8 -2.5	490	4800	2.1*10 ⁻⁵	130

Ordering Example: **FSCB20** - **6** - **8** - **100 PCS**
 Model no. Ød1 Ød2 Q'ty