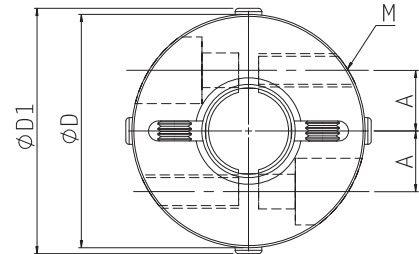
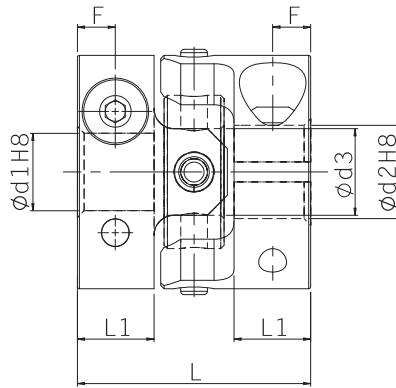


FACU



- Offset of angular, parallel, or axial deviation are individual value, so couple reasons of axial offset appearing at same time would reduce the unit allowable value.
- Suitable applied for high torque rigidity and low vibration needs.



Component	Material	Surface finish	Accessories
Main frame	Aluminum Alloy	Anodized	Clamping screw
Spacer	Aluminum Alloy	Anodized	
Pin	SUJ-2	—	
Bearing	Aluminum + Teflon	—	

Dimensions		Ød1&Ød2 selection *Ød1 ≤ Ød2																Clamping screw						
Model no.	ØD	3	4	5	6	8	10	11	12	14	15	16	18	19	20	ØD	ØD1	Ød3	L	L1	A	F	M	Lock torque (N·m)
FACU	15	●	●	●	●											15	16	4	18	6	5.2	2.5	M2	0.5
	20		●	●	●	●										20	22	7	20	7	6.5	2.7	M2	0.5
	25			●	●	●	●	●	●							25	27	10	27	9	9	3.5	M2.5	1
	30				●	●	●	●	●	●						30	32	10	30	9.5	10.5	4	M3	1.5
	35					●	●	●	●	●	●	●				35	37	13	35	11.5	12.5	5	M4	2.5
	40						●	●	●	●	●	●	●	●	●	40	42	15	40	12.5	15	5.5	M4	2.5

★ Moment of inertial torque and weight calculated by maximum diameter.

Specification		Allowable wrench torque		Allowable misalignment		Static torsional stiffness (N·m/rad)	Max. RPM (r/min ⁻¹)	★ Moment of inertia (kg·m ²)	★ Weight (g)
Model no.	ØD	Rated torque (N·m)	Max. torque (N·m)	Angular (°)	Parallel (mm)				
FACU	15	0.3	0.6	1	0.2	200	42000	2.3*10 ⁻⁷	8
	20	0.6	1.2			400	31000	8.1*10 ⁻⁶	16
	25	1.2	2.4			900	25000	2.7*10 ⁻⁶	33
	30	2.4	4.8			1300	21000	6.2*10 ⁻⁵	53
	35	4	8			2200	18000	1.3*10 ⁻⁵	81
	40	6	12			2300	4000	2.6*10 ⁻⁵	120

Ordering Example: FACU25 - 10 - 12 - 100 PCS
 Model no. Ød1 Ød2 Q'ty