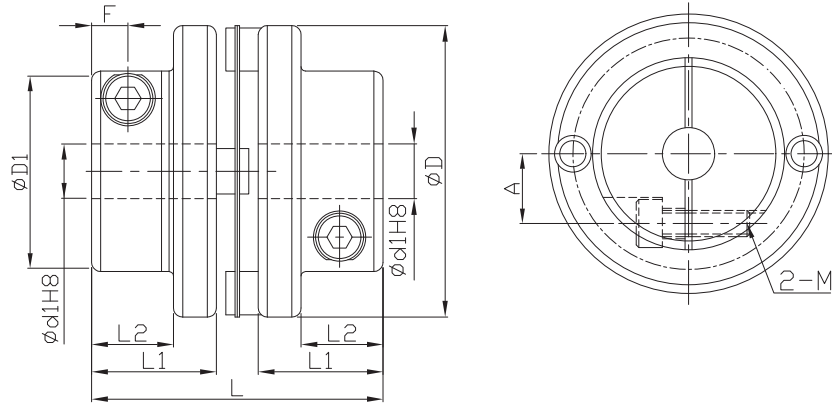


FACTS



- Hard torque load \ high torque rigidity and excellent sensibility.
- Zero backlash.
- Miniature coupling has short length.
- Dual stainless steel disk to correct angular and axial deviation.
- No correction for radial deviation.
- Clockwise character is exactly the same as anti-clockwise one.
- Free maintenance, oil-resist and anti-corrosiveness.
- FACH-S can't allow axial deviation caused by offset.
- Offset, deflection, shaft deviation are individual allowed value.



Component	Material	Surface finish	Accessories
Main frame	Aluminum Alloy	Anodized	Clamping screw
Disk	SUS301	—	

Dimensions		ØD1	Ød1&Ød2 selection *Ød1 ≤ Ød2													L	L1	L2	A	F	Clamping screw	
Model no.	ØD		6	7	8	10	11	12	14	15	16	18	19	20	25						M	Lock torque (N·m)
FACTS	32	22	•	•	•	•										32	13.7	9	8	4	3	1.5
	40	28		•	•	•	•	•								38	16.5	12	10.5	6	4	2.5
	50	39						•	•	•	•	•	•			44	19.4	15	14.8	7	5	7
	63	45							•	•	•	•	•	•		50	22.3	18	17	8	6	12

★ Moment of inertial torque and weight calculated by maximum diameter.

Specification		Allowable wrench torque (N·m)	Allowable misalignment		Static torsional stiffness (N·m/rad)	Max. RPM (r/min ⁻¹)	★ Moment of inertia (kg·m ²)	★ Weight (g)
Model no.	ØD		Angular (°)	Axial (mm)				
FACTS	32	2	1	±0.2	1300	4800	4.5*10 ⁻⁶	38
	40	4			2800	3800	1.2*10 ⁻⁵	66
	50	7.5			3700	3100	3.7*10 ⁻⁵	120
	63	10			5000	2400	8.4*10 ⁻⁵	190

Ordering Example: FACTS32 - 10 - 12 - 100 PCS
 Model no. Ød1 * Ød2 Q'ty