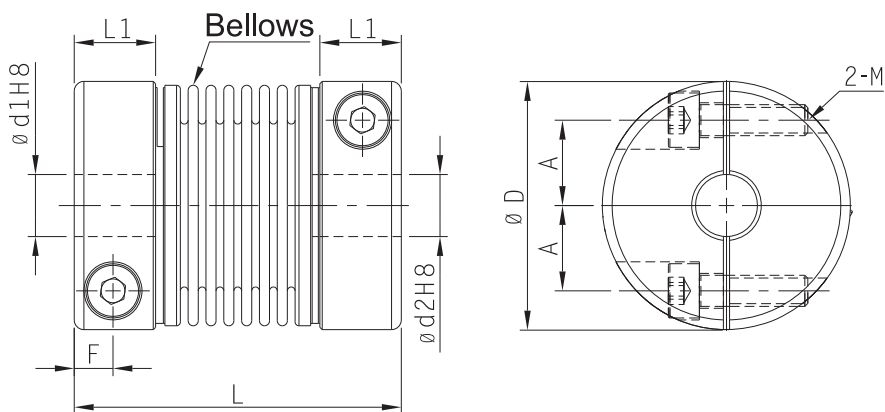


FACB



• Offset of angular, parallel, or axial deviation are individual allowed value, so couple reasons of axial offset appearing at same time would reduce the unit allowable value.



Component	Material	Surface finish	Accessories
Main frame	Aluminum Alloy	Anodized	Clamping screw
Bellows	C5191	—	

Dimensions		Ød1&Ød2 selection *Ød1 ≤ Ød2									L	L1	F	A	Clamping screw	
Model no.	ØD	4	5	6	6.35	8	9.525	10	12	14					M	Lock torque (N·m)
FACB	12	●	●								23.5	7.5	2.3	4	2	0.5
	16	●	●	●	●						26.5	9	3	5		
	20		●	●	●	●					32	10	3.5	6.5	2.5	1
	25			●	●	●	●	●			36.5	12	4.5	9		
	32					●	●	●	●	●	42	13.5	5	11		

★ Moment of inertial torque and weight calculated by maximum diameter.

Specification	Model no.	ØD	Allowable wrench torque (N·m)	Allowable misalignment			Static torsional stiffness (N·m/rad)	Max. RPM (r/min ⁻¹)	★ Moment of inertia (kg·m ²)	★ Weight (g)			
				Angular (°)	Parallel (mm)	Axial (mm)							
FACB	12	0.3	1.5	0.10	+0.4	82	13000	9.7*10 ⁻⁸	4				
	16	0.5			-1.2					110	9500	3.7*10 ⁻⁷	10
	20	0.8	2	0.15	+0.6	180	7700	1.0*10 ⁻⁶	16				
	25	1.3			-1.8					240	6100	3.1*10 ⁻⁶	32
	32	2			+0.8 -2.5					330	4800	9.6*10 ⁻⁶	58

Ordering Example: FACB25 - 6 - 8 - 100 PCS
 Model no. Ød1 Ød2 Q'ty